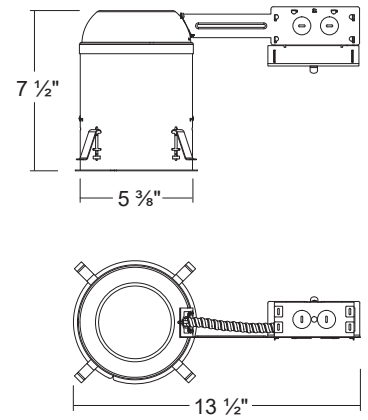


## H500R

5" Non-IC Air-Tight Incandescent Remodel Housing (Max. 75W)



### Dimensions



## ORDERING INFORMATION

Model No.	Description
H500R	5" Non-IC Air-Tight Incandescent Remodel Housing (Max. 75W)

## SPECIFICATION

### Junction Box

- Listed for through branch circuit wiring
- Contains one 1-1/8", six 7/8" knockouts and four Romex pryouts with strain relief

### Remodel Clips

- Four Remodel clips secure housing and accommodates 1/2" and 5/8" ceiling materials.

### Thermal Protector

- Self resetting thermal protector deactivates fixture if overheating occurs due to improper lamping or misapplied insulation.

### Listings

- cULus Listed for Damp Location
- cULus Listed for Feed Through

## COMPATIBLE TRIMS

**T500** Eyeball



- **Incandescent**  
75W BR / Par30

**T506** Splay Baffle



- **Incandescent**  
50W R / Par20  
75W BR / Par30

**T513W** AT Cone Baffle



- **Incandescent**  
75W BR / Par30

**T504** Cone Smooth



- **Incandescent**  
60W A19

**T508** Fresnel Shower



- **Incandescent**  
40W A19  
50W R / Par20